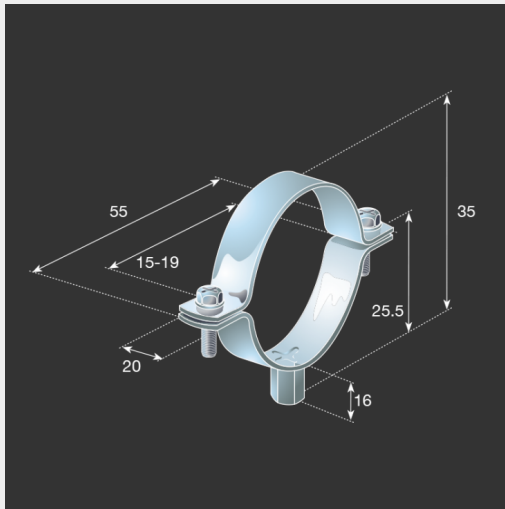


STAINLESS STEEL RANGE

RANGE SIZE CHARTS



ST/ST UNLINED CLIPS GRADE 316 A4 M8/10 - SIZE CHART

| Size | Bag Qty | Pack Qty | Part No. - Stainless |
|---------------|---------|----------|----------------------|
| 15mm / 3/8" | 50 | 200 | ST0324M |
| 22mm / 1/2" | 50 | 200 | ST0424M |
| 28mm / 3/4" | 50 | 200 | ST0724M |
| 35mm / 1" | 25 | 200 | ST0924M |
| 42mm / 1 1/4" | 25 | 200 | ST1124M |
| 1 1/2" | 25 | 100 | ST1324M |
| 54mm | 25 | 100 | ST5424M |
| 2" | 25 | 100 | ST1424M |
| 67mm | 25 | 100 | ST6724M |
| 76mm / 2 1/2" | 20 | 100 | ST1624M |
| 83mm | 20 | 100 | ST8324M |
| 3" | 20 | 100 | ST1724M |
| 100mm | 10 | 100 | ST10024M |
| 108mm | 10 | 50 | ST9824M |
| 4" | 10 | 50 | ST1824M |
| 125mm | 10 | 50 | ST12524M |
| 5" | 5 | 50 | ST1924M |
| 150mm | 5 | 50 | ST15024M |
| 6" / 165mm | 5 | 50 | ST9924M |
| 6" / 168mm | 5 | 50 | ST2024M |
| 200mm | 5 | 10 | ST20024M |
| 8" | 5 | 10 | ST2124M |

ABOUT THE PRODUCT

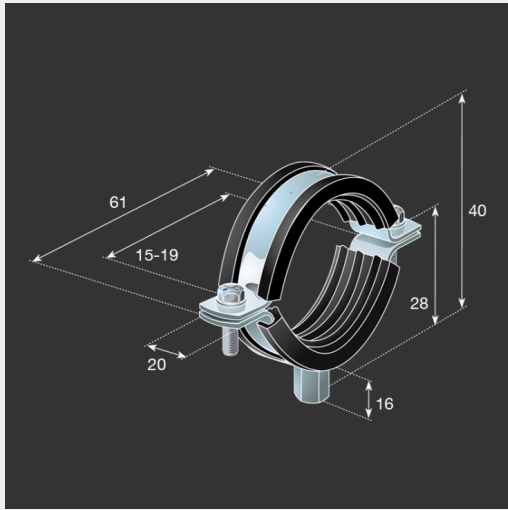
Description: Stainless Steel Pipe Supports and associated products are designed and manufactured to support primarily Stainless Steel pipework though can be used in various other applications due to their increased resistance to corrosion.

Material: Manufactured in either Grade 304 (A2) or Grade 316 (A4 -Marine Grade) Stainless Steel where applicable. Some products have EPDM rubber lining to provide cushioning between pipe and bracket, whilst also providing limited noise suppression.

Finishes: The finish on the Stainless Steel can either be dull (non reflective), smooth or partly reflective dependant on the production process and product itself.

Connections / Fixing Methods: Dependant on product. Metric bosses available only on Rubber Lined and Unlined Clips.

Country of Origin: China and UK where applicable.



ST/ST RUBBER LINED CLIPS GRADE 316 A4 M8/10 - SIZE CHART

| Size | Bag Qty | Pack Qty | Part No. - Stainless |
|---------------|---------|----------|----------------------|
| 15mm / 3/8" | 50 | 200 | ST0324/RL |
| 22mm / 1/2" | 50 | 200 | ST0424/RL |
| 28mm / 3/4" | 50 | 200 | ST0724/RL |
| 35mm / 1" | 50 | 200 | ST0924/RL |
| 42mm / 1 1/4" | 25 | 100 | ST1124/RL |
| 1 1/2" | 25 | 100 | ST1324/RL |
| 54mm | 25 | 100 | ST5424/RL |
| 2" | 25 | 100 | ST1424/RL |
| 67mm | 25 | 100 | ST6724/RL |
| 2 1/2" | 25 | 100 | ST1624/RL |
| 3" | 25 | 100 | ST1724/RL |
| 100mm | 25 | 100 | ST10024/RL |
| 108mm | 25 | 100 | ST9824/RL |
| 4" | 25 | 100 | ST1824/RL |
| 5" | 10 | 50 | ST1924/RL |
| 6" / 165mm | 10 | 50 | ST9924/RL |
| 6" / 168mm | 10 | 50 | ST2024/RL |

ABOUT THE PRODUCT

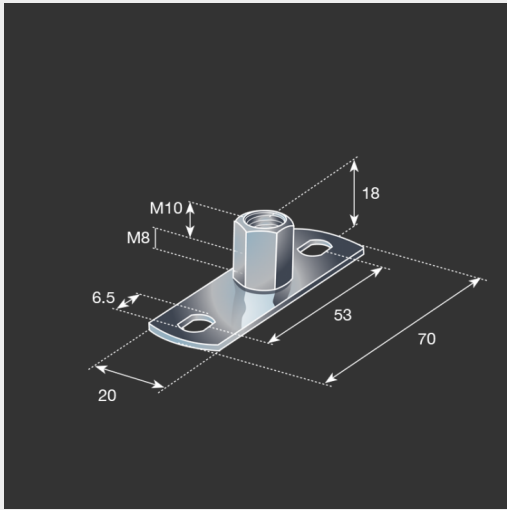
Description: Stainless Steel Pipe Supports and associated products are designed and manufactured to support primarily Stainless Steel pipework though can be used in various other applications due to their increased resistance to corrosion.

Material: Manufactured in either Grade 304 (A2) or Grade 316 (A4 -Marine Grade) Stainless Steel where applicable. Some products have EPDM rubber lining to provide cushioning between pipe and bracket, whilst also providing limited noise suppression.

Finishes: The finish on the Stainless Steel can either be dull (non reflective), smooth or partly reflective dependant on the production process and product itself.

Connections / Fixing Methods: Dependant on product. Metric bosses available only on Rubber Lined and Unlined Clips.

Country of Origin: China and UK where applicable.



ST/ST FEMALE BACKPLATES GRADE 316 A4 M8/10 - SIZE CHART

| Size | Bag Qty | Pack Qty | Part No. - Stainless |
|--------|---------|----------|----------------------|
| M8/M10 | 100 | 500 | ST0804M |

ABOUT THE PRODUCT

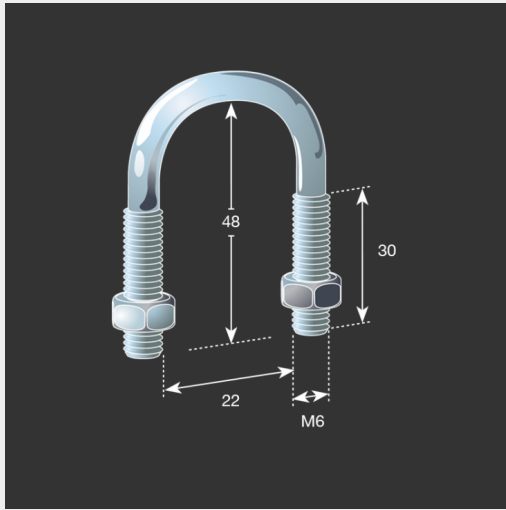
Description: Stainless Steel Pipe Supports and associated products are designed and manufactured to support primarily Stainless Steel pipework though can be used in various other applications due to their increased resistance to corrosion.

Material: Manufactured in either Grade 304 (A2) or Grade 316 (A4 -Marine Grade) Stainless Steel where applicable. Some products have EPDM rubber lining to provide cushioning between pipe and bracket, whilst also providing limited noise suppression.

Finishes: The finish on the Stainless Steel can either be dull (non reflective), smooth or partly reflective dependant on the production process and product itself.

Connections / Fixing Methods: Dependant on product. Metric bosses available only on Rubber Lined and Unlined Clips.

Country of Origin: China and UK where applicable.



ST/ST U BOLTS GRADE 316 A4 C/W 2 NUTS - SIZE CHART

| Size | Bag Qty | Pack Qty | Part No. - Stainless |
|--------|---------|----------|----------------------|
| 1/2" | 100 | | SS0416 |
| 3/4" | 100 | | SS0716 |
| 1" | 50 | | SS0916 |
| 1 1/4" | 50 | | SS1116 |
| 1 1/2" | 50 | | SS1316 |
| 2" | 50 | | SS1416 |
| 2 1/2" | 25 | | SS1616 |
| 3" | 25 | | SS1716 |
| 4" | 20 | | SS1816 |
| 5" | 1 | | SS1916 |
| 6" | 1 | | SS2016 |
| 8" | 1 | | SS2116 |
| 10" | 1 | | SS8016 |
| 12" | 1 | | SS8216 |

ABOUT THE PRODUCT

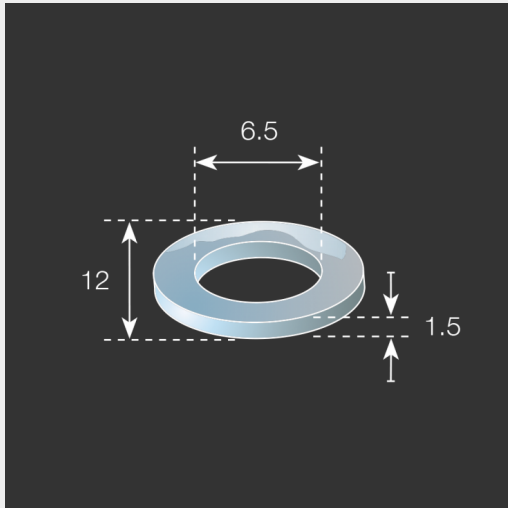
Description: Stainless Steel Pipe Supports and associated products are designed and manufactured to support primarily Stainless Steel pipework though can be used in various other applications due to their increased resistance to corrosion.

Material: Manufactured in either Grade 304 (A2) or Grade 316 (A4 -Marine Grade) Stainless Steel where applicable. Some products have EPDM rubber lining to provide cushioning between pipe and bracket, whilst also providing limited noise suppression.

Finishes: The finish on the Stainless Steel can either be dull (non reflective), smooth or partly reflective dependant on the production process and product itself.

Connections / Fixing Methods: Dependant on product. Metric bosses available only on Rubber Lined and Unlined Clips.

Country of Origin: China and UK where applicable.



| ST/ST FLAT WASHERS GRADE 304 A2 - SIZE CHART | | | |
|--|---------|----------|----------------------|
| Size | Bag Qty | Pack Qty | Part No. - Stainless |
| M6 | 100 | | SS0633 |
| M8 | 100 | | SS0833 |
| M10 | 100 | | SS1033 |
| M12 | 100 | | SS1233 |
| M16 | 100 | | SS1633 |

ABOUT THE PRODUCT

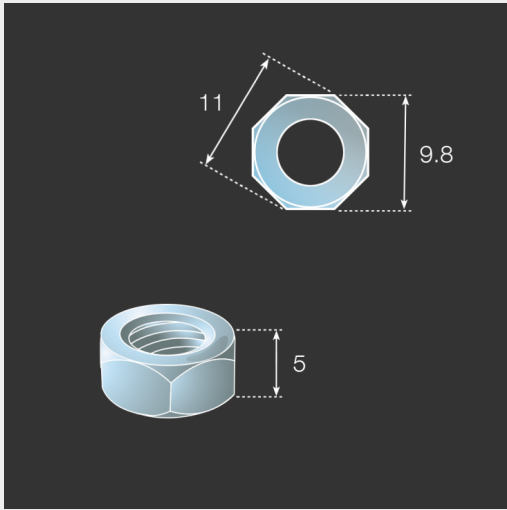
Description: Stainless Steel Pipe Supports and associated products are designed and manufactured to support primarily Stainless Steel pipework though can be used in various other applications due to their increased resistance to corrosion.

Material: Manufactured in either Grade 304 (A2) or Grade 316 (A4 -Marine Grade) Stainless Steel where applicable. Some products have EPDM rubber lining to provide cushioning between pipe and bracket, whilst also providing limited noise suppression.

Finishes: The finish on the Stainless Steel can either be dull (non reflective), smooth or partly reflective dependant on the production process and product itself.

Connections / Fixing Methods: Dependant on product. Metric bosses available only on Rubber Lined and Unlined Clips.

Country of Origin: China and UK where applicable.



| ST/ST HEX NUTS GRADE 304 A2 - SIZE CHART | | | |
|--|---------|----------|----------------------|
| Size | Bag Qty | Pack Qty | Part No. - Stainless |
| M6 | 100 | | SS0618M |
| M8 | 100 | | SS0818M |
| M10 | 100 | | SS1018M |
| M12 | 100 | | SS1218M |
| M16 | 100 | | SS1618M |

ABOUT THE PRODUCT

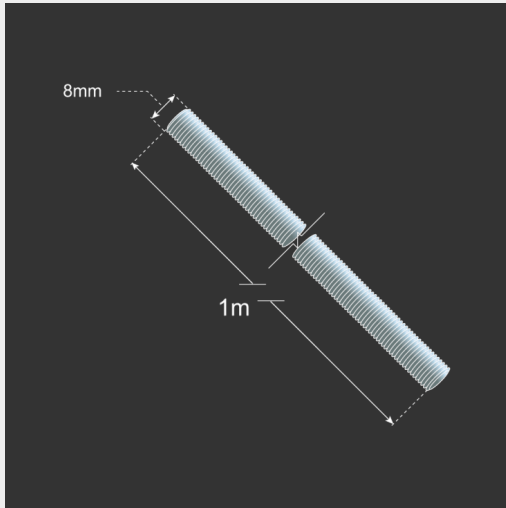
Description: Stainless Steel Pipe Supports and associated products are designed and manufactured to support primarily Stainless Steel pipework though can be used in various other applications due to their increased resistance to corrosion.

Material: Manufactured in either Grade 304 (A2) or Grade 316 (A4 -Marine Grade) Stainless Steel where applicable. Some products have EPDM rubber lining to provide cushioning between pipe and bracket, whilst also providing limited noise suppression.

Finishes: The finish on the Stainless Steel can either be dull (non reflective), smooth or partly reflective dependant on the production process and product itself.

Connections / Fixing Methods: Dependant on product. Metric bosses available only on Rubber Lined and Unlined Clips.

Country of Origin: China and UK where applicable.



ST/ST STUDDING (1 METRE LENGTH) GRADE 304 A2 - SIZE CHART

| Size | Bag Qty | Pack Qty | Part No. - Stainless |
|------|---------|----------|----------------------|
| M8 | | | SS0809/1 |
| M10 | | | SS1009/1 |
| M12 | | | SS1209/1 |

ABOUT THE PRODUCT

Description: Stainless Steel Pipe Supports and associated products are designed and manufactured to support primarily Stainless Steel pipework though can be used in various other applications due to their increased resistance to corrosion.

Material: Manufactured in either Grade 304 (A2) or Grade 316 (A4 -Marine Grade) Stainless Steel where applicable. Some products have EPDM rubber lining to provide cushioning between pipe and bracket, whilst also providing limited noise suppression.

Finishes: The finish on the Stainless Steel can either be dull (non reflective), smooth or partly reflective dependant on the production process and product itself.

Connections / Fixing Methods: Dependant on product. Metric bosses available only on Rubber Lined and Unlined Clips.

Country of Origin: China and UK where applicable.

Every effort has been made to ensure the accuracy of data within these pages. We cannot however be held liable for any discrepancies that may arise between this data and actual product. The dimensions are provided as a guide and we recommend contacting a company representative for confirmation. Greenaway Pipeline Products Ltd reserve the right to make changes without notice at any time.

Sales: 01922 743 322

Email: enquiries@greenaways.co.uk

Web: <https://greenaways.co.uk>