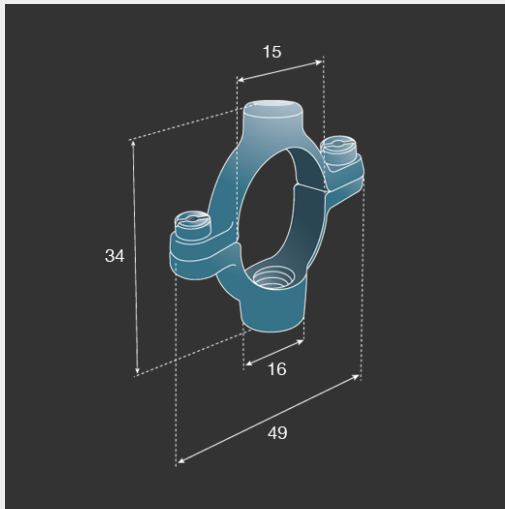


MALLEABLE RANGE

RANGE SIZE CHARTS



M.I. DOUBLE RINGS – METRIC - SIZE CHART

Size	Bag Qty	Pack Qty	Part No. - Self Colour	Part No. - Galvanised
1/4"	TO ORDER		MS0203M	MG0203M
3/8"	TO ORDER		MS0303M	MG0303M
1/2"	100	400	MS0403M	MG0403M
3/4"	100	300	MS0703M	MG0703M
1"	50	200	MS0903M	MG0903M
1 1/4"	50	200	MS1103M	MG1103M
1 1/2"	25	100	MS1303M	MG1303M
2"	25	100	MS1403M	MG1403M
2 1/2"	10	50	MS1603M	MG1603M
3"	5	30	MS1703M	MG1703M
4"	5	25	MS1803M	MG1803M
5"	TO ORDER		MS1903M	MG1903M
6"	TO ORDER		MS2003M	MG2003M

ABOUT THE PRODUCT

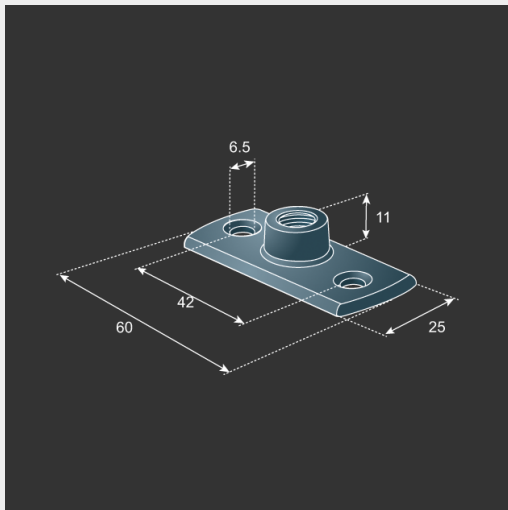
Description: Malleable Iron Pipe Rings, Brackets and Backplates are designed and manufactured to support BS EN 10255 Steel pipework, formerly BS1387 Steel pipe. Produced still in accordance with the former BS1494 specification in relation to dimensions, material and galvanising.

Material: Manufactured in Blackheart Malleable Iron. Blackheart Malleable Iron material conforms to BS6681:1986.

Finishes: Available in Self Colour or Hot Dipped Galvanized finish. Galvanised standard conforms to EN ISO 1461:1999.

Connections / Fixing methods: Available in Metric or BSP tapped thread sizes on boss only where applicable.

Country of Origin: China.



M.I. BACKPLATES – METRIC - SIZE CHART					
Size	Bag Qty	Pack Qty	Part No. - Self Colour	Part No. - Galvanised	Part No. - Zinc Plated
M6	50	250	MS0604M	MG0604M	
M8	50	250	MS0804M	MG0804M	MZ0804M
M10	100	400	MS1004M	MG1004M	MZ1004M
M12	50	250	MS1204M	MG1204M	MZ1204M

ABOUT THE PRODUCT

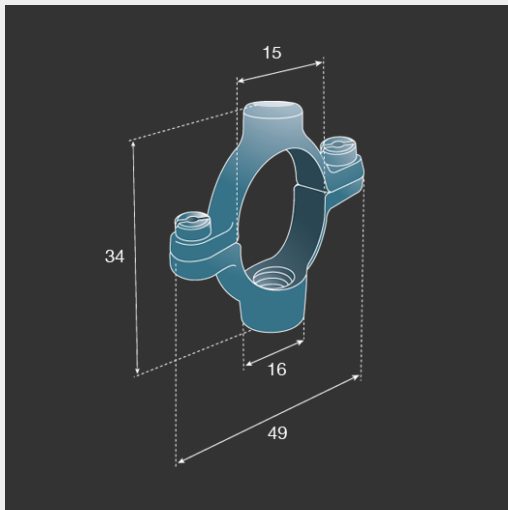
Description: Malleable Iron Pipe Rings, Brackets and Backplates are designed and manufactured to support BS EN 10255 Steel pipework, formerly BS1387 Steel pipe. Produced still in accordance with the former BS1494 specification in relation to dimensions, material and galvanising.

Material: Manufactured in Blackheart Malleable Iron. Blackheart Malleable Iron material conforms to BS6681:1986.

Finishes: Available in Self Colour or Hot Dipped Galvanized finish. Galvanised standard conforms to EN ISO 1461:1999.

Connections / Fixing methods: Available in Metric or BSP tapped thread sizes on boss only where applicable.

Country of Origin: China.

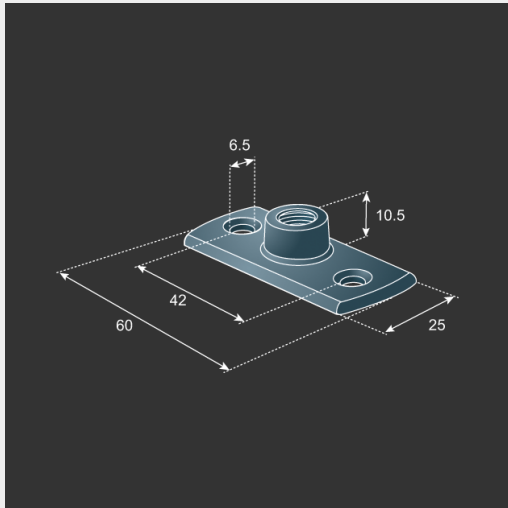


M.I. DOUBLE RINGS – BSP - SIZE CHART

Size	Bag Qty	Pack Qty	Part No. - Self Colour	Part No. - Galvanised
1/4"	100	700	MS0203B	MG0203B
3/8"	100	700	MS0303B	MG0303B
1/2"	100	700	MS0403B	MG0403B
3/4"	100	400	MS0703B	MG0703B
1"	50	300	MS0903B	MG0903B
1 1/4"	50	200	MS1103B	MG1103B
1 1/2"	25	150	MS1303B	MG1303B
2"	25	100	MS1403B	MG1403B
2 1/2"	10	50	MS1603B	MG1603B
3"	5	40	MS1703B	MG1703B
4"	5	25	MS1803B	MG1803B
5"	5	15	MS1903B	MG1903B
6"	5	10	MS2003B	MG2003B

ABOUT THE PRODUCT

Description: Malleable Iron Pipe Rings, Brackets and Backplates are designed and manufactured to support BS EN 10255 Steel pipework, formerly BS1387 Steel pipe. Produced still in accordance with the former BS1494 specification in relation to dimensions, material and galvanising.



M.I. BACKPLATES – METRIC – HEAVY PATTERN - SIZE CHART				
Size	Bag Qty	Pack Qty	Part No. - Self Colour	Part No. - Galvanised
M10	100	400	MS1004MH	MG1004MH
M12	50	250	MS1204MH	MG1204MH

ABOUT THE PRODUCT

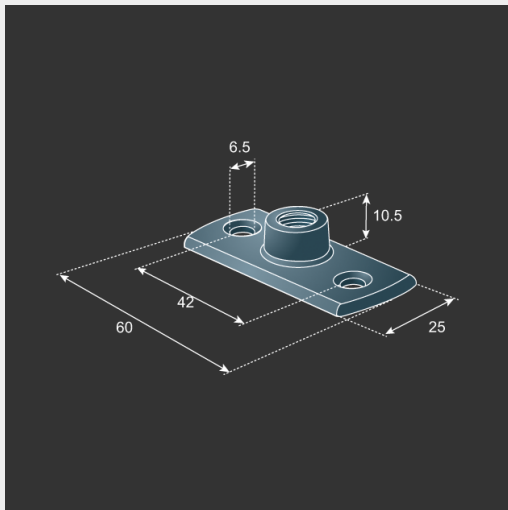
Description: Malleable Iron Pipe Rings, Brackets and Backplates are designed and manufactured to support BS EN 10255 Steel pipework, formerly BS1387 Steel pipe. Produced still in accordance with the former BS1494 specification in relation to dimensions, material and galvanising.

Material: Manufactured in Blackheart Malleable Iron. Blackheart Malleable Iron material conforms to BS6681:1986.

Finishes: Available in Self Colour or Hot Dipped Galvanized finish. Galvanised standard conforms to EN ISO 1461:1999.

Connections / Fixing methods: Available in Metric or BSP tapped thread sizes on boss only where applicable.

Country of Origin: China.



M.I. BACKPLATES – BSP - SIZE CHART				
Size	Bag Qty	Pack Qty	Part No. - Self Colour	Part No. - Galvanised
1/8"	TO ORDER		MS0104B	MG0104B
1/4"	100	400	MS0204B	MG0204B
3/8"	50	500	MS0304B	MG0304B
1/2"	TO ORDER		MS0404B	MG0404B

ABOUT THE PRODUCT

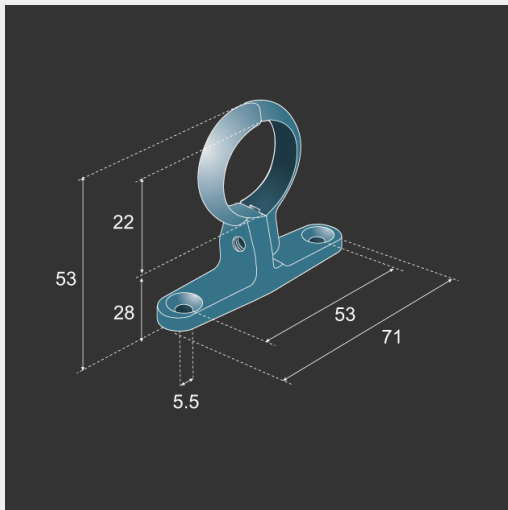
Description: Malleable Iron Pipe Rings, Brackets and Backplates are designed and manufactured to support BS EN 10255 Steel pipework, formerly BS1387 Steel pipe. Produced still in accordance with the former BS1494 specification in relation to dimensions, material and galvanising.

Material: Manufactured in Blackheart Malleable Iron. Blackheart Malleable Iron material conforms to BS6681:1986.

Finishes: Available in Self Colour or Hot Dipped Galvanized finish. Galvanised standard conforms to EN ISO 1461:1999.

Connections / Fixing methods: Available in Metric or BSP tapped thread sizes on boss only where applicable.

Country of Origin: China.



M.I. SCREW ON BRACKETS – HEAVY PATTERN - SIZE CHART				
Size	Bag Qty	Pack Qty	Part No. - Self Colour	Part No. - Galvanised
1/2"	50	200	MS0401H	MG0401H
3/4"	50	150	MS0701H	MG0701H
1"	25	125	MS0901H	MG0901H
1 1/4"	20	80	MS1101H	MG1101H
1 1/2"	10	60	MS1301H	MG1301H
2"	10	40	MS1401H	MG1401H

ABOUT THE PRODUCT

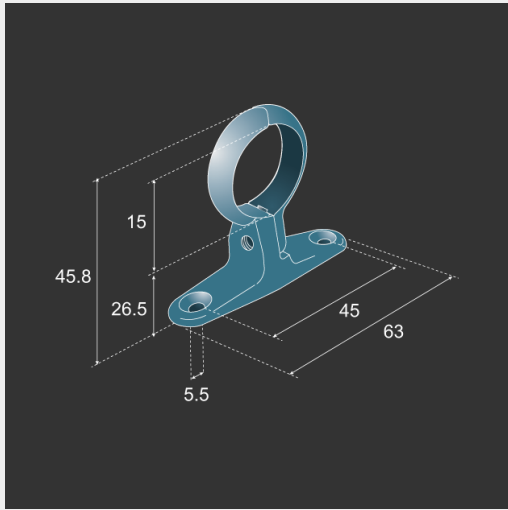
Description: Malleable Iron Pipe Rings, Brackets and Backplates are designed and manufactured to support BS EN 10255 Steel pipework, formerly BS1387 Steel pipe. Produced still in accordance with the former BS1494 specification in relation to dimensions, material and galvanising.

Material: Manufactured in Blackheart Malleable Iron. Blackheart Malleable Iron material conforms to BS6681:1986.

Finishes: Available in Self Colour or Hot Dipped Galvanized finish. Galvanised standard conforms to EN ISO 1461:1999.

Connections / Fixing methods: Available in Metric or BSP tapped thread sizes on boss only where applicable.

Country of Origin: China.



M.I. SCREW ON BRACKETS - SIZE CHART				
Size	Bag Qty	Pack Qty	Part No. - Self Colour	Part No. - Galvanised
1/4"	100	300	MS0201	MG0201
3/8"	100	250	MS0301	MG0301
1/2"	100	200	MS0401	MG0401
3/4"	50	150	MS0701	MG0701
1"	50	100	MS0901	MG0901
1 1/4"	25	100	MS1101	MG1101
1 1/2"	20	80	MS1301	MG1301
2"	20	40	MS1401	MG1401
2 1/2"	10	30	MS1601	MG1601
3"	5	25	MS1701	MG1701
4"	5	10	MS1801	MG1801

ABOUT THE PRODUCT

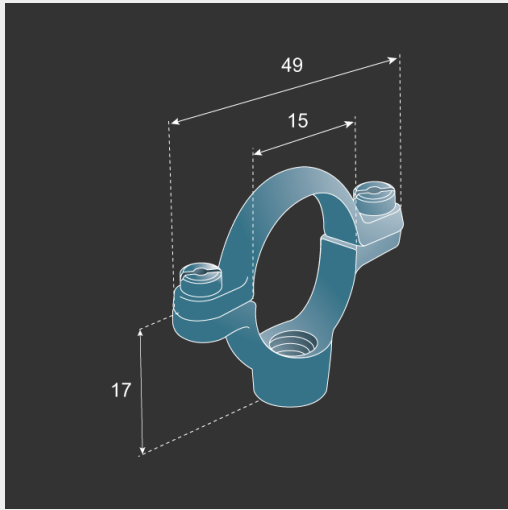
Description: Malleable Iron Pipe Rings, Brackets and Backplates are designed and manufactured to support BS EN 10255 Steel pipework, formerly BS1387 Steel pipe. Produced still in accordance with the former BS1494 specification in relation to dimensions, material and galvanising.

Material: Manufactured in Blackheart Malleable Iron. Blackheart Malleable Iron material conforms to BS6681:1986.

Finishes: Available in Self Colour or Hot Dipped Galvanized finish. Galvanised standard conforms to EN ISO 1461:1999.

Connections / Fixing methods: Available in Metric or BSP tapped thread sizes on boss only where applicable.

Country of Origin: China.



M.I. SINGLE RINGS – METRIC - SIZE CHART				
Size	Bag Qty	Pack Qty	Part No. - Self Colour	Part No. - Galvanised
1/4"	100	300	MS0202M	MG0202M
3/8"	100	300	MS0302M	MG0302M
1/2"	100	300	MS0402M	MG0402M
3/4"	100	200	MS0702M	MG0702M
1"	50	150	MS0902M	MG0902M
1 1/4"	50	200	MS1102M	MG1102M
1 1/2"	25	125	MS1302M	MG1302M
2"	25	100	MS1402M	MG1402M
2 1/2"	10	50	MS1602M	MG1602M
3"	5	40	MS1702M	MG1702M
4"	5	25	MS1802M	MG1802M
5"	5	15	MS1902M	MG1902M
6"	5	10	MS2002M	MG2002M

ABOUT THE PRODUCT

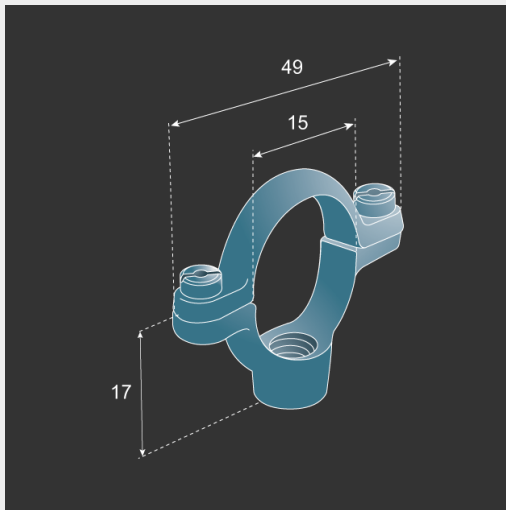
Description: Malleable Iron Pipe Rings, Brackets and Backplates are designed and manufactured to support BS EN 10255 Steel pipework, formerly BS1387 Steel pipe. Produced still in accordance with the former BS1494 specification in relation to dimensions, material and galvanising.

Material: Manufactured in Blackheart Malleable Iron. Blackheart Malleable Iron material conforms to BS6681:1986.

Finishes: Available in Self Colour or Hot Dipped Galvanized finish. Galvanised standard conforms to EN ISO 1461:1999.

Connections / Fixing methods: Available in Metric or BSP tapped thread sizes on boss only where applicable.

Country of Origin: China.



M.I. SINGLE RINGS – BSP - SIZE CHART

Size	Bag Qty	Pack Qty	Part No. - Self Colour	Part No. - Galvanised
1/4"	100	700	MS0202B	MG0202B
3/8"	100	700	MS0302B	MG0302B
1/2"	100	600	MS0402B	MG0402B
3/4"	100	400	MS0702B	MG0702B
1"	50	300	MS0902B	MG0902B
1 1/4"	50	200	MS1102B	MG1102B
1 1/2"	25	150	MS1302B	MG1302B
2"	25	100	MS1402B	MG1402B
2 1/2"	10	50	MS1602B	MG1602B
3"	5	40	MS1702B	MG1702B
4"	5	25	MS1802B	MG1802B
5"	LOOSE	10	MS1902B	MG1902B
6"	LOOSE	10	MS2002B	MG2002B

ABOUT THE PRODUCT

Description: Malleable Iron Pipe Rings, Brackets and Backplates are designed and manufactured to support BS EN 10255 Steel pipework, formerly BS1387 Steel pipe. Produced still in accordance with the former BS1494 specification in relation to dimensions, material and galvanising.

Material: Manufactured in Blackheart Malleable Iron. Blackheart Malleable Iron material conforms to BS6681:1986.

Finishes: Available in Self Colour or Hot Dipped Galvanized finish. Galvanised standard conforms to EN ISO 1461:1999.

Connections / Fixing methods: Available in Metric or BSP tapped thread sizes on boss only where applicable.

Country of Origin: China.

Every effort has been made to ensure the accuracy of data within these pages. We cannot however be held liable for any discrepancies that may arise between this data and actual product. The dimensions are provided as a guide and we recommend contacting a company representative for confirmation. Greenaway Pipeline Products Ltd reserve the right to make changes without notice at any time.

Sales: 01922 743 322

Email: enquiries@greenaways.co.uk

Web: <https://greenaways.co.uk>