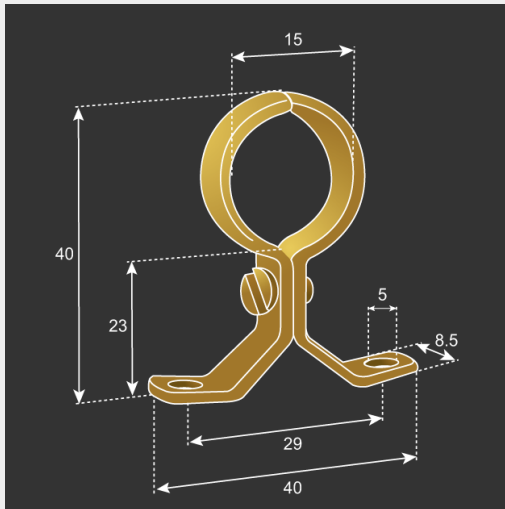


BRASS RANGE

RANGE SIZE CHARTS



PRESSED BRASS SCREW ON BRACKET - SIZE CHART

Size	Bag Qty	Pack Qty	Part No. - Bright	Part No. - Chrome
15mm	100	800	PB1501	PC1501
22mm	100	500	PB2201	PC2201
28mm	50	300	PB2801	PC2801
35mm	50	250	PB3501	PC3501
42mm	25	150	PB4201	PC4201
54mm	10	100	PB5401	PC5401

ABOUT THE PRODUCT

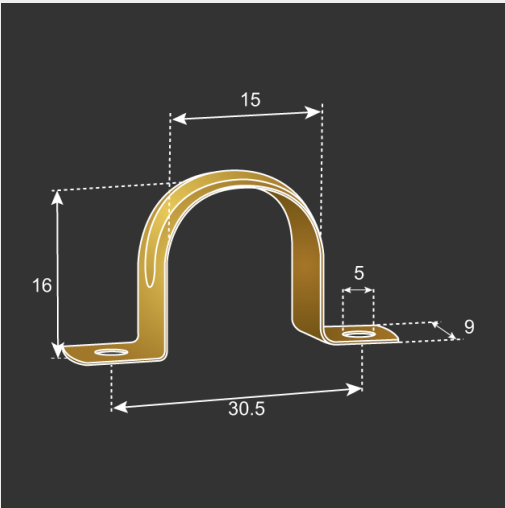
Description: Brass Pipe Rings, Brackets and Backplates are designed and manufactured to support BS EN 1057 Copper tube, formerly BS2871 part 1: 1971 Copper tube.

Material: Manufactured in Cast and Pressed Brass material. Brass is mainly an alloy of Copper and Zinc.

Finishes: Available in Bright or Chrome finish providing a smooth appearance.

Connections / Fixing methods: Available in Metric or BSP tapped thread sizes on boss - only where applicable.

Country of Origin: China.



COPPER SADDLES - SIZE CHART			
Size	Bag Qty	Pack Qty	Part No. - Bright
15mm	100	1000	CU1506
22mm	100	1000	CU2206
28mm	50	800	CU2806
35mm	50	500	CU3506
42mm	25	400	CU4206
54mm	25	150	CU5406

ABOUT THE PRODUCT

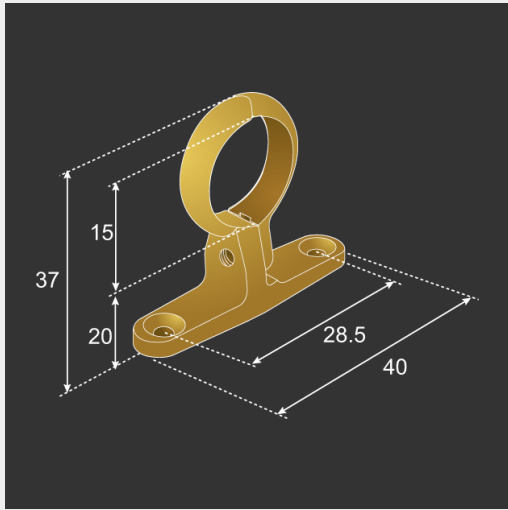
Description: Brass Pipe Rings, Brackets and Backplates are designed and manufactured to support BS EN 1057 Copper tube, formerly BS2871 part 1: 1971 Copper tube.

Material: Manufactured in Cast and Pressed Brass material. Brass is mainly an alloy of Copper and Zinc.

Finishes: Available in Bright or Chrome finish providing a smooth appearance.

Connections / Fixing methods: Available in Metric or BSP tapped thread sizes on boss - only where applicable.

Country of Origin: China.



CAST BRASS SCREW ON BRACKET - SIZE CHART				
Size	Bag Qty	Pack Qty	Part No. - Bright	Part No. - Chrome
15mm	100	800	CB1501	CC1501
22mm	50	450	CB2201	CC2201
28mm	25	300	CB2801	CC2801
35mm	25	250	CB3501	CC3501
42mm	25	150	CB4201	CC4201
54mm	25	100	CB5401	CC5401
67mm	10	80	CB6701	CC6701
76mm	10	50	CB7601	CC7601
108mm	10	30	CB9801	CC9801

ABOUT THE PRODUCT

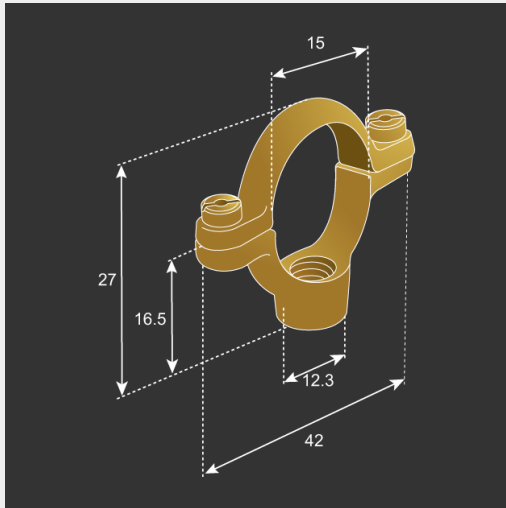
Description: Brass Pipe Rings, Brackets and Backplates are designed and manufactured to support BS EN 1057 Copper tube, formerly BS2871 part 1: 1971 Copper tube.

Material: Manufactured in Cast and Pressed Brass material. Brass is mainly an alloy of Copper and Zinc.

Finishes: Available in Bright or Chrome finish providing a smooth appearance.

Connections / Fixing methods: Available in Metric or BSP tapped thread sizes on boss - only where applicable.

Country of Origin: China.



BRASS SINGLE RINGS METRIC M10 - SIZE CHART

Size	Bag Qty	Pack Qty	Part No. - Bright	Part No. - Chrome
12mm	TO-ORDER	TO-ORDER	CB1202M	
15mm	100	900	CB1502M	CC1502M
22mm	50	700	CB2202M	CC2202M
28mm	50	450	CB2802M	CC2802M
35mm	50	300	CB3502M	CC3502M
42mm	25	250	CB4202M	CC4202M
54mm	25	150	CB5402M	CC5402M
67mm	10	110	CB6702M	CC6702M
76mm	10	80	CB7602M	CC7602M
108mm	5	50	CB9802M	CC9802M
133mm	5	20	CB9302M	CC9302M
159mm	3	15	CB9902M	CC9902M

ABOUT THE PRODUCT

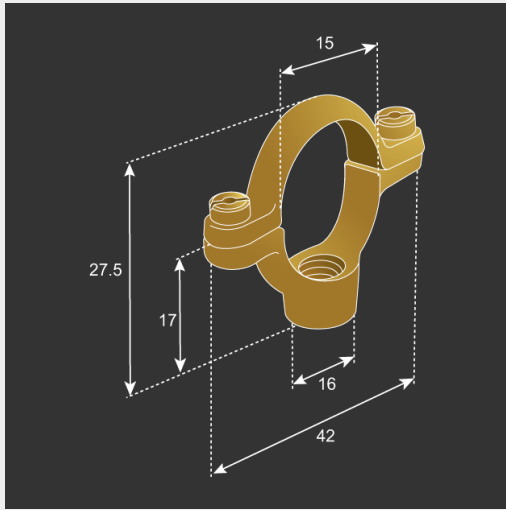
Description: Brass Pipe Rings, Brackets and Backplates are designed and manufactured to support BS EN 1057 Copper tube, formerly BS2871 part 1: 1971 Copper tube.

Material: Manufactured in Cast and Pressed Brass material. Brass is mainly an alloy of Copper and Zinc.

Finishes: Available in Bright or Chrome finish providing a smooth appearance.

Connections / Fixing methods: Available in Metric or BSP tapped thread sizes on boss - only where applicable.

Country of Origin: China.



BRASS SINGLE RINGS BSP - SIZE CHART				
Size	Bag Qty	Pack Qty	Part No. - Bright	Part No. - Chrome
12mm	TO-ORDER	TO-ORDER	CB1202B	
15mm	100	900	CB1502B	CC1502B
22mm	50	700	CB2202B	CC2202B
28mm	50	450	CB2802B	CC2802B
35mm	50	300	CB3502B	CC3502B
42mm	25	250	CB4202B	CC4202B
54mm	25	150	CB5402B	CC5402B
67mm	TO-ORDER	TO-ORDER	CB6702B	CC6702B
76mm	TO-ORDER	TO-ORDER	CB7602B	CC7602B
108mm	TO-ORDER	TO-ORDER	CB9802B	CC9802B
133mm	TO-ORDER	TO-ORDER	CB9302B	CC9302B
159mm	TO-ORDER	TO-ORDER	CB9902B	CC9902B

ABOUT THE PRODUCT

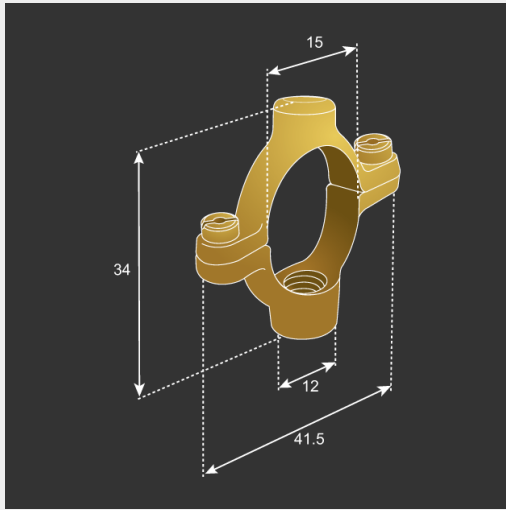
Description: Brass Pipe Rings, Brackets and Backplates are designed and manufactured to support BS EN 1057 Copper tube, formerly BS2871 part 1: 1971 Copper tube.

Material: Manufactured in Cast and Pressed Brass material. Brass is mainly an alloy of Copper and Zinc.

Finishes: Available in Bright or Chrome finish providing a smooth appearance.

Connections / Fixing methods: Available in Metric or BSP tapped thread sizes on boss - only where applicable.

Country of Origin: China.



BRASS DOUBLE RINGS METRIC - SIZE CHART				
Size	Bag Qty	Pack Qty	Part No. - Bright	Part No. - Chrome
15mm	100	800	CB1503M	CC1503M
22mm	50	600	CB2203M	CC2203M
28mm	50	400	CB2803M	CC2803M
35mm	25	200	CB3503M	CC3503M
42mm	25	150	CB4203M	CC4203M
54mm	25	100	CB5403M	CC5403M
67mm	10		CB6703M	
76mm	10		CB7603M	
108mm	5		CB9803M	
133mm	5		CB9303M	
159mm	3		CB9903M	

ABOUT THE PRODUCT

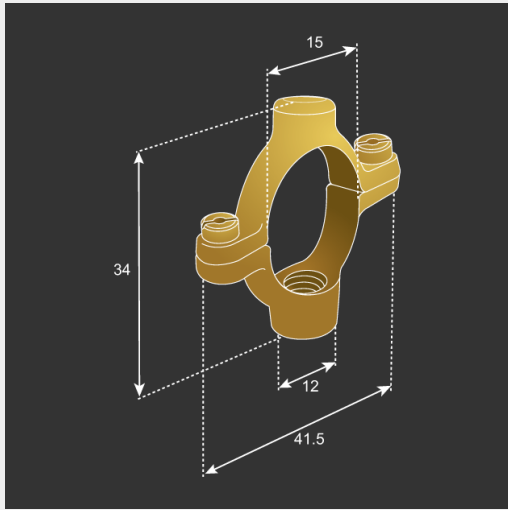
Description: Brass Pipe Rings, Brackets and Backplates are designed and manufactured to support BS EN 1057 Copper tube, formerly BS2871 part 1: 1971 Copper tube.

Material: Manufactured in Cast and Pressed Brass material. Brass is mainly an alloy of Copper and Zinc.

Finishes: Available in Bright or Chrome finish providing a smooth appearance.

Connections / Fixing methods: Available in Metric or BSP tapped thread sizes on boss - only where applicable.

Country of Origin: China.



BRASS DOUBLE RINGS BSP - SIZE CHART			
Size	Bag Qty	Pack Qty	Part No. - Bright
15mm	TO-ORDER	TO-ORDER	CB1503B
22mm	TO-ORDER	TO-ORDER	CB2203B
28mm	TO-ORDER	TO-ORDER	CB2803B
35mm	TO-ORDER	TO-ORDER	CB3503B
42mm	TO-ORDER	TO-ORDER	CB4203B
54mm	TO-ORDER	TO-ORDER	CB5403B
67mm	TO-ORDER	TO-ORDER	CB6703B
76mm	TO-ORDER	TO-ORDER	CB7603B
133mm	TO-ORDER	TO-ORDER	CB9303B
108mm	TO-ORDER	TO-ORDER	CB9803B
159mm	TO-ORDER	TO-ORDER	CB9903B

ABOUT THE PRODUCT

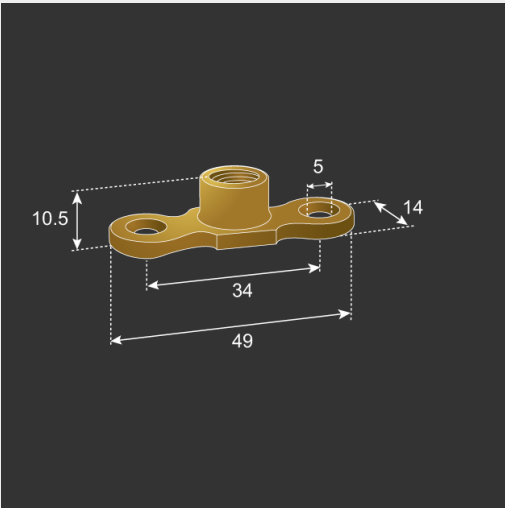
Description: Brass Pipe Rings, Brackets and Backplates are designed and manufactured to support BS EN 1057 Copper tube, formerly BS2871 part 1: 1971 Copper tube.

Material: Manufactured in Cast and Pressed Brass material. Brass is mainly an alloy of Copper and Zinc.

Finishes: Available in Bright or Chrome finish providing a smooth appearance.

Connections / Fixing methods: Available in Metric or BSP tapped thread sizes on boss - only where applicable.

Country of Origin: China.



BRASS FEMALE METRIC BACKPLATES - SIZE CHART				
Size	Bag Qty	Pack Qty	Part No. - Bright	Part No. - Chrome
M6	TO-ORDER	TO-ORDER	CB0604M	CC0604M
M8	TO-ORDER	TO-ORDER	CB0804M	CC0804M
M10	100	1500	CB1004M	CC1004M

ABOUT THE PRODUCT

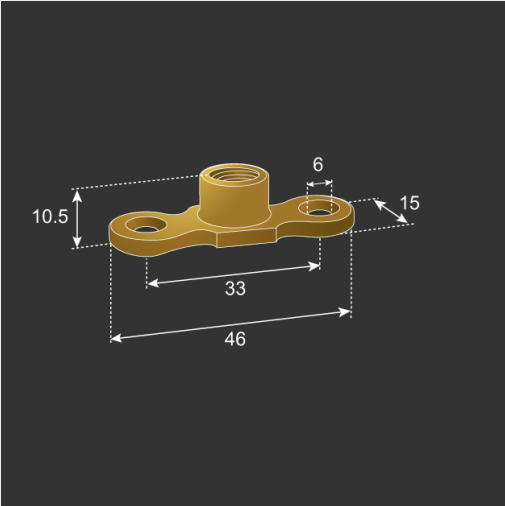
Description: Brass Pipe Rings, Brackets and Backplates are designed and manufactured to support BS EN 1057 Copper tube, formerly BS2871 part 1: 1971 Copper tube.

Material: Manufactured in Cast and Pressed Brass material. Brass is mainly an alloy of Copper and Zinc.

Finishes: Available in Bright or Chrome finish providing a smooth appearance.

Connections / Fixing methods: Available in Metric or BSP tapped thread sizes on boss - only where applicable.

Country of Origin: China.



BRASS FEMALE BSP BACKPLATES - SIZE CHART				
Size	Bag Qty	Pack Qty	Part No. - Bright	Part No. - Chrome
1/8"	TO-ORDER	TO-ORDER	CB0104B	CC0104B
1/4"	100	500	CB0204B	CC0204B
3/8"	TO-ORDER	TO-ORDER	CB0304B	CC0304B
1/2"	TO-ORDER	TO-ORDER	CB0404B	CC0404B

ABOUT THE PRODUCT

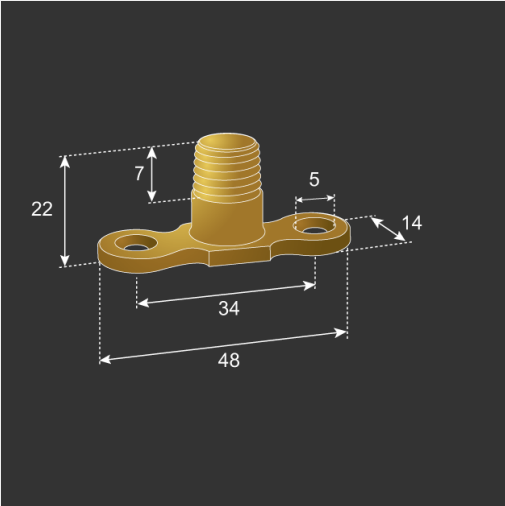
Description: Brass Pipe Rings, Brackets and Backplates are designed and manufactured to support BS EN 1057 Copper tube, formerly BS2871 part 1: 1971 Copper tube.

Material: Manufactured in Cast and Pressed Brass material. Brass is mainly an alloy of Copper and Zinc.

Finishes: Available in Bright or Chrome finish providing a smooth appearance.

Connections / Fixing methods: Available in Metric or BSP tapped thread sizes on boss - only where applicable.

Country of Origin: China.



BRASS MALE METRIC BACKPLATES - SIZE CHART				
Size	Bag Qty	Pack Qty	Part No. - Bright	Part No. - Chrome
M10	100	1000	CB1005	CC1005

ABOUT THE PRODUCT

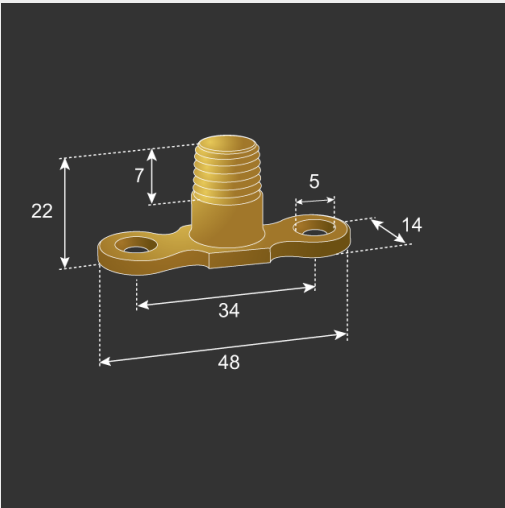
Description: Brass Pipe Rings, Brackets and Backplates are designed and manufactured to support BS EN 1057 Copper tube, formerly BS2871 part 1: 1971 Copper tube.

Material: Manufactured in Cast and Pressed Brass material. Brass is mainly an alloy of Copper and Zinc.

Finishes: Available in Bright or Chrome finish providing a smooth appearance.

Connections / Fixing methods: Available in Metric or BSP tapped thread sizes on boss - only where applicable.

Country of Origin: China.



BRASS MALE SHORT SHANK BACKPLATE - SIZE CHART				
Size	Bag Qty	Pack Qty	Part No. - Bright	Part No. - Chrome
M10	100	1000	CBS1005	CCS1005

ABOUT THE PRODUCT

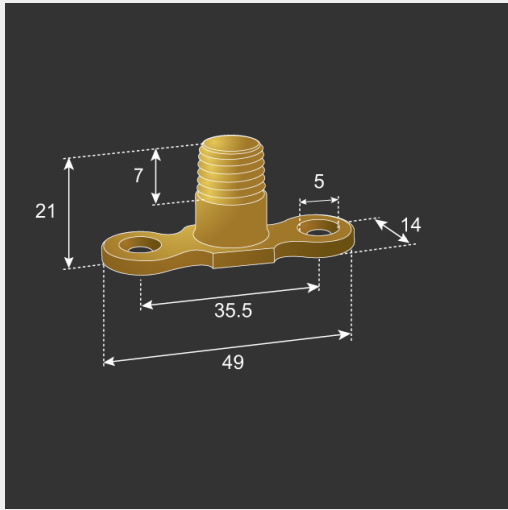
Description: Brass Pipe Rings, Brackets and Backplates are designed and manufactured to support BS EN 1057 Copper tube, formerly BS2871 part 1: 1971 Copper tube.

Material: Manufactured in Cast and Pressed Brass material. Brass is mainly an alloy of Copper and Zinc.

Finishes: Available in Bright or Chrome finish providing a smooth appearance.

Connections / Fixing methods: Available in Metric or BSP tapped thread sizes on boss - only where applicable.

Country of Origin: China.



BRASS MALE BSP BACKPLATES - SIZE CHART				
Size	Bag Qty	Pack Qty	Part No. - Bright	Part No. - Chrome
1/8"	100	1000	CB0105B	CC0105B
1/4"	50	500	CB0205B	CC0205B
3/8"	TO-ORDER	TO-ORDER	CB0305B	CC0305B
1/2"	TO-ORDER	TO-ORDER	CB0405B	CC0405B

ABOUT THE PRODUCT

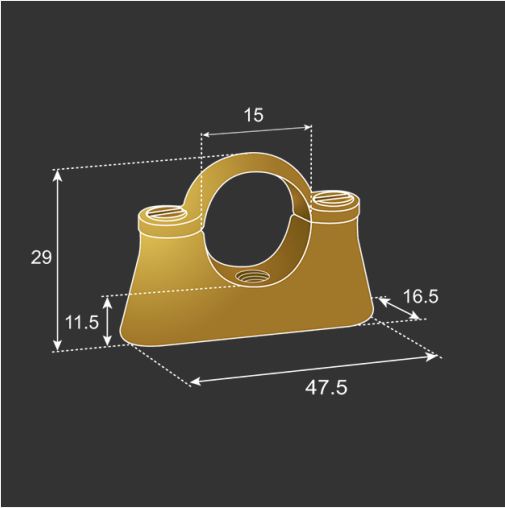
Description: Brass Pipe Rings, Brackets and Backplates are designed and manufactured to support BS EN 1057 Copper tube, formerly BS2871 part 1: 1971 Copper tube.

Material: Manufactured in Cast and Pressed Brass material. Brass is mainly an alloy of Copper and Zinc.

Finishes: Available in Bright or Chrome finish providing a smooth appearance.

Connections / Fixing methods: Available in Metric or BSP tapped thread sizes on boss - only where applicable.

Country of Origin: China.



BRASS HOSPITAL BRACKETS - SIZE CHART				
Size	Bag Qty	Pack Qty	Part No. - Bright	Part No. - Chrome
15mm	50	400	CB1517	CC1517
22mm	50	300	CB2217	CC2217
28mm	25	200	CB2817	CC2817
35mm	25	150	CB3517	CC3517
42mm	25	100	CB4217	CC4217
54mm	20	50	CB5417	CC5417

ABOUT THE PRODUCT

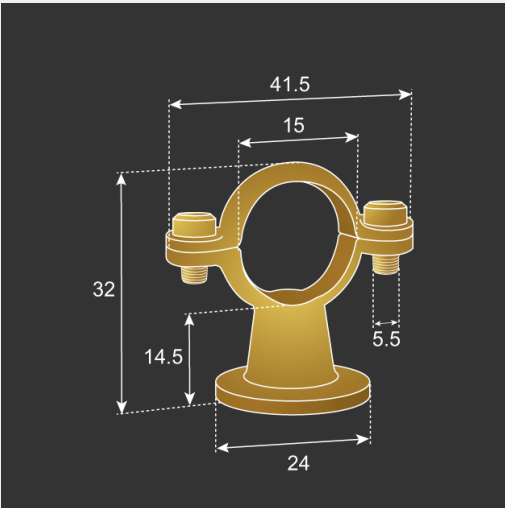
Description: Brass Pipe Rings, Brackets and Backplates are designed and manufactured to support BS EN 1057 Copper tube, formerly BS2871 part 1: 1971 Copper tube.

Material: Manufactured in Cast and Pressed Brass material. Brass is mainly an alloy of Copper and Zinc.

Finishes: Available in Bright or Chrome finish providing a smooth appearance.

Connections / Fixing methods: Available in Metric or BSP tapped thread sizes on boss - only where applicable.

Country of Origin: China.



BRASS DUAL PURPOSE BRACKETS - SIZE CHART				
Size	Bag Qty	Pack Qty	Part No. - Bright	Part No. - Chrome
15mm	50	450	CB1507B	CC1507B
22mm	50	400	CB2207B	CC2207B
28mm	25	300	CB2807B	CC2807B
35mm	25	250	CB3507B	CC3507B
42mm	25	150	CB4207B	CC4207B
54mm	25	100	CB5407B	CC5407B

ABOUT THE PRODUCT

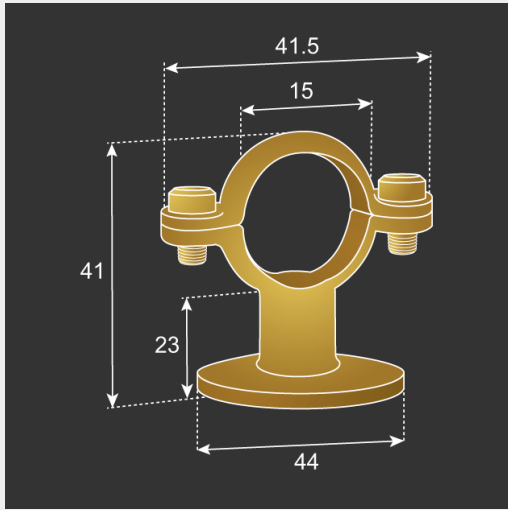
Description: Brass Pipe Rings, Brackets and Backplates are designed and manufactured to support BS EN 1057 Copper tube, formerly BS2871 part 1: 1971 Copper tube.

Material: Manufactured in Cast and Pressed Brass material. Brass is mainly an alloy of Copper and Zinc.

Finishes: Available in Bright or Chrome finish providing a smooth appearance.

Connections / Fixing methods: Available in Metric or BSP tapped thread sizes on boss - only where applicable.

Country of Origin: China.



BRASS WALL BRACKETS - SIZE CHART				
Size	Bag Qty	Pack Qty	Part No. - Bright	Part No. - Chrome
15mm	50	450	CB1520	CC1520
22mm	50	400	CB2220	CC2220
28mm	25	300	CB2820	CC2820

ABOUT THE PRODUCT

Description: Brass Pipe Rings, Brackets and Backplates are designed and manufactured to support BS EN 1057 Copper tube, formerly BS2871 part 1: 1971 Copper tube.

Material: Manufactured in Cast and Pressed Brass material. Brass is mainly an alloy of Copper and Zinc.

Finishes: Available in Bright or Chrome finish providing a smooth appearance.

Connections / Fixing methods: Available in Metric or BSP tapped thread sizes on boss - only where applicable.

Country of Origin: China.

Every effort has been made to ensure the accuracy of data within these pages. We cannot however be held liable for any discrepancies that may arise between this data and actual product. The dimensions are provided as a guide and we recommend contacting a company representative for confirmation. Greenaway Pipeline Products Ltd reserve the right to make changes without notice at any time.

Sales: 01922 743 322

Email: enquiries@greenaways.co.uk

Web: <https://greenaways.co.uk>